



DEPARTMENT OF REGULATORY AND ECONOMIC RESOURCES (RER)
BOARD AND CODE ADMINISTRATION DIVISION

MIAMI-DADE COUNTY
PRODUCT CONTROL SECTION
11805 SW 26 Street, Room 208
T (786) 315-2590 F (786) 315-2599

NOTICE OF ACCEPTANCE (NOA)

www.miamidade.gov/economy

Lumenesse Films, LLC
1470 NW 107 Avenue, Suite "O".
Miami, FL 33172

SCOPE:

This NOA is being issued under the applicable rules and regulations governing the use of construction materials. The documentation submitted has been reviewed and accepted by Miami-Dade County RER - Product Control Section to be used in Miami Dade County and other areas where allowed by the Authority Having Jurisdiction (AHJ).

This NOA shall not be valid after the expiration date stated below. The Miami-Dade County Product Control Section (In Miami Dade County) and/or the AHJ (in areas other than Miami Dade County) reserve the right to have this product or material tested for quality assurance purposes. If this product or material fails to perform in the accepted manner, the manufacturer will incur the expense of such testing and the AHJ may immediately revoke, modify, or suspend the use of such product or material within their jurisdiction. RER reserves the right to revoke this acceptance, if it is determined by Miami-Dade County Product Control Section that this product or material fails to meet the requirements of the applicable building code.

This product is approved as described herein, and has been designed to comply with the Florida Building Code, including the High Velocity Hurricane Zone.

DESCRIPTION: Component Approval – Series “Lumenesse 8 Mil – Clear” Safety & Security Hurricane Protection Window Film System – S.M.I.

APPROVAL DOCUMENT: Drawing No. 12-777, titled “Hurricane Protection Window Film System,” sheets 1 and 2 of 2, dated 01/23/12, with revision #2 dated 06/18/18, prepared by E.C. & Associates, Inc., signed and sealed by Emilio Castro, P.E., bearing the Miami-Dade County Product Control Revision stamp with the Notice of Acceptance number and expiration date by the Miami-Dade County Product Control Section.

MISSILE IMPACT RATING: Small Missile Impact Resistant

LABELING: Each unit shall bear a permanent label with the manufacturer's name or logo, city, state, model/series, and following statement: "Miami-Dade County Product Control Approved", unless otherwise noted herein.

RENEWAL of this NOA shall be considered after a renewal application has been filed and there has been no change in the applicable building code negatively affecting the performance of this product.

TERMINATION of this NOA will occur after the expiration date or if there has been a revision or change in the materials, use, and/or manufacture of the product or process. Misuse of this NOA as an endorsement of any product, for sales, advertising or any other purposes shall automatically terminate this NOA. Failure to comply with any section of this NOA shall be cause for termination and removal of NOA.

ADVERTISEMENT: The NOA number preceded by the words Miami-Dade County, Florida, and followed by the expiration date may be displayed in advertising literature. If any portion of the NOA is displayed, then it shall be done in its entirety.

INSPECTION: A copy of this entire NOA shall be provided to the user by the manufacturer or its distributors and shall be available for inspection at the job site at the request of the Building Official.

This NOA revises and renews NOA No. 17-0207.10 and consists of this page 1 and evidence pages E-1, E-2 and E-3, as well as approval document mentioned above.

The submitted documentation was reviewed by **Manuel Perez, P.E.**



Handwritten signature and date: 7/13/18

NOA No. 18-0504.07
Expiration Date: July 04, 2023
Approval Date: July 12, 2018
Page 1

NOTICE OF ACCEPTANCE: EVIDENCE SUBMITTED

1. **EVIDENCE SUBMITTED UNDER PREVIOUS NOA's**

A. **DRAWINGS**

1. Manufacturer's die drawings and sections.
(Submitted under NOA No. 13-0408.01)
2. Drawing No. **12-777**, titled "Storm Protection Window Film System" Sheets 1 and 2 of 2, dated 01/23/12, with revision #1 dated 01/17/17, prepared by E.C. & Associates, Inc., signed and sealed by Emilio Castro, P.E.

B. **TESTS**

1. Test reports on: 1) Air Infiltration Test, per FBC, TAS 202-94
2) Uniform Static Air Pressure Test, Loading per FBC, TAS 202-94
3) Water Resistance Test, per FBC, TAS 202-94
4) Small Missile Impact Test per FBC, TAS 201-94
5) Cyclic Wind Pressure Loading per FBC, TAS 203-94
along with marked-up drawings and installation diagram of an aluminum fixed window with ¼" tempered glass with a "Lumenesse" two-ply 8 mil film on the interior with the perimeter sealed to the window frame with black Dow Corning 995 silicone attachment system, prepared by Fenestration Testing Laboratory, Inc., Test Report No. **FTL-7337**, dated 06/01/13, signed and sealed by Jorge A. Naya Jr., P.E.
(Submitted under NOA No. 13-0408.01)
2. Test reports No. **HETI-13-F300**, prepared by Hurricane Engineering & Testing, Inc., dated 03/22/13, issued to Confianza Window Tinting, Inc., for their 8 Mil Clear Polyester "Lumenesse" Safety & Security Film (product #Lumenesse **SS-777-1**) per **ASTM D1929-10** "Standard Test Method for Determining Ignition Temperature of Plastics", **ASTM D2843-10** "Standard Test Method for Density of Smoke from the Burning or Decomposition of Plastics", and **ASTM D635-10** "Standard Test Method for Rate of Burning and/or Extent and Time of Burning of Plastics in a Horizontal Position", signed and sealed by Rafael E. Droz-Seda, P.E.
(Submitted under NOA No. 13-0408.01)
3. Test report No. **HETI-13-A300**, prepared by Hurricane Engineering & Testing, Inc., dated 03/22/13, issued to Confianza Window Tinting, Inc., for their 8 Mil Clear Polyester "Lumenesse" Safety & Security Film (product #**Lumenesse SS-777-1**) per **ASTM G155-04a** "Practice for Operating Xenon Arc Light Apparatus for Exposure of Non-Metallic Materials" for 4500 hours exposure of Xenon Arc, with a tensile test per ASTM D638-10 prior to the test and after the test, referenced in Test Reports HETI-13-U302 and HETI-13-U303 respectively, signed and sealed by Rafael E. Droz-Seda, P.E.
(Submitted under NOA No. 13-0408.01)


Manuel Perez, P.E.

Product Control Examiner
NOA No. 18-0504.07

Expiration Date: July 04, 2023

Approval Date: July 12, 2018

NOTICE OF ACCEPTANCE: EVIDENCE SUBMITTED

B. TESTS (CONTINUED)

4. Test report No. **HETI-13-U302**, prepared by Hurricane Engineering & Testing, Inc., dated 03/22/13, issued to Confianza Window Tinting, Inc., for their 8 Mil Clear Polyester “Lumenesse” Safety & Security Film (product #**Lumenesse SS-777-1**) per **ASTM D638-10** “Standard Test Methods for Tensile Properties of Plastics” for unexposed sample to Xenon Arc, signed and sealed by Rafael E. Droz-Seda, P.E.
(Submitted under NOA No. 13-0408.01)
5. Test report No. **HETI-13-U303**, prepared by Hurricane Engineering & Testing, Inc., dated 03/22/13, issued to Confianza Window Tinting, Inc., for their 8 Mil Clear Polyester “Lumenesse” Safety & Security Film (product #**Lumenesse SS-777-1**) per **ASTM D638-10** “Standard Test Methods for Tensile Properties of Plastics” for exposed sample per Xenon Arc after 4500 Hours, signed and sealed by Rafael E. Droz-Seda, P.E.
(Submitted under NOA No. 13-0408.01)

C. CALCULATIONS

1. None.
2. Glazing complies with **ASTM E1300-04**

D. QUALITY ASSURANCE

1. Miami-Dade Department of Regulatory and Economic Resources (RER)

E. MATERIAL CERTIFICATIONS

1. Plastic requirements testing submitted. See Test Reports in **B-2, B-3, B-4** and **B-5**.

F. STATEMENTS

1. Statement letter of conformance and no financial interest, dated January 3, 2017, signed and sealed by Emilio Castro, P.E.
2. Private Labeling Agreement document in conformance to Product Control guidelines dated 04/09/13 signed by Rafael E. Fernandez.
(Submitted under NOA No. 13-0408.01)

G. OTHER

1. Notice of Acceptance No. **13-0408.01**, issued to Lumenesse Films, LLC for their **Component Approval - Series “Lumenesse 8 Mil – Clear” Safety & Security Hurricane Protection Window Film System – S.M.I.**”, approved on 07/04/13 and expiring on 07/04/18.


Manuel Perez, P.E.

Product Control Examiner
NOA No. 18-0504.07
Expiration Date: July 04, 2023
Approval Date: July 12, 2018

NOTICE OF ACCEPTANCE: EVIDENCE SUBMITTED

2. NEW EVIDENCE SUBMITTED

A. DRAWINGS

1. Drawing No. **12-777**, titled “Storm Protection Window Film System” Sheets 1 and 2 of 2, dated 01/23/12, with revision #2 dated 06/18/18, prepared by E.C. & Associates, Inc., signed and sealed by Emilio Castro, P.E.

B. TESTS

1. None

C. CALCULATIONS

1. None.

D. QUALITY ASSURANCE

1. Miami-Dade Department of Regulatory and Economic Resources (RER)

E. MATERIAL CERTIFICATIONS

1. Plastic requirements testing submitted in previous NOA’s. See: 1. **EVIDENCE SUBMITTED UNDER PREVIOUS NOA’s**, Test Reports in **B-2, B-3, B-4** and **B-5**.

F. STATEMENTS

1. Statement letter of conformance, complying with **FBC 6th Edition (2017)**, and of no financial interest, dated January 3, 2018, issued by E.C. & Associates, Inc., signed and sealed by Emilio Castro, P.E.

G. OTHERS

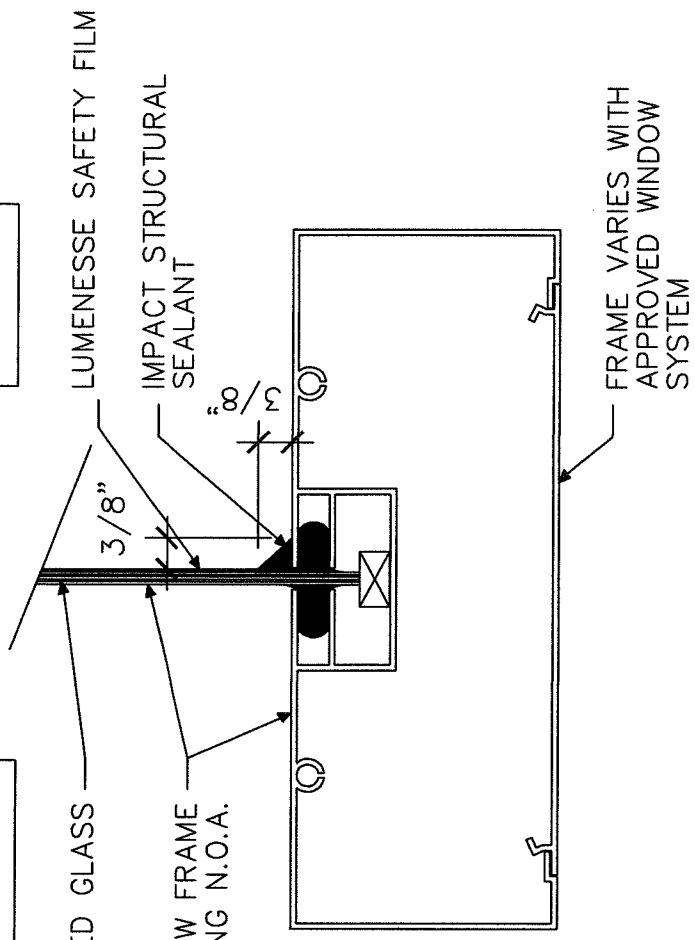
1. Notice of Acceptance No. **17-0207.10**, issued to Lumenesse Films, LLC for their **Component Approval - Series “Lumenesse 8 Mil – Clear” Safety & Security Hurricane Protection Window Film System – S.M.I.**”, approved on 03/23/17 and expiring on 07/04/18.



Manuel Pérez, P.E.
Product Control Examiner
NOA No. **18-0504.07**
Expiration Date: **July 04, 2023**
Approval Date: **July 12, 2018**

OUTSIDE

INSIDE



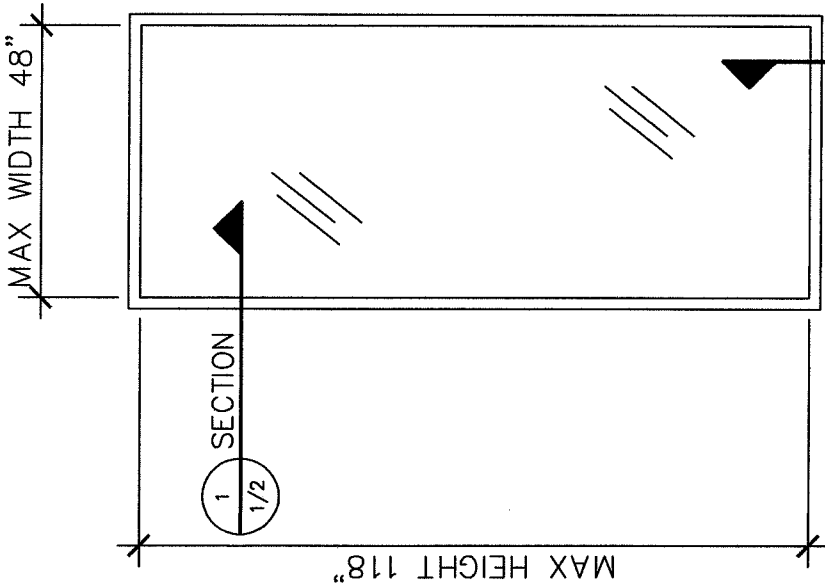
1
1/2
GLAZING DETAIL
SCALE: 3/4" = 1'-0"

PRODUCT REVISED
as complying with the Florida
Building Code
Acceptance No. 18-0504-07
Expiration Date July 4, 2023
By: *Emilio Castro*
Miami Dade Product Control

Emilio Castro
7/2/18

- GENERAL NOTES:**
- DO NOT SCALE DRAWINGS REFER TO PLAN DIMENSIONS SPECIFIED
 - THIS IS A COMPONENT APPROVAL AND THE FILM DESCRIBED HERE IS TO BE USED ONLY ON EXISTING FENESTRATION PRODUCTS WITH N.O.A. APPROVED FOR SMALL MISSILE IMPACT WITH MINIMUM GLASS THICKNESS 1/4" TEMPERED AND TESTED PER THE NOW OBSOLETE ROOF GRAVEL ROCKS IMPACT TEST.
 - DESIGN PRESSURE RATING: THE LOWER VALUE OF THE N.O.A. OR THIS COMPONENT N.O.A. SHALL GOVERN.
 - DESIGN LOAD: THE DESIGN LOADS MUST BE CALCULATED BY A PROFESSIONAL ARCHITECT OR ENGINEER FOR EACH SPECIFIC PROJECT THE CALCULATED DESIGN LOADS OR PRESSURE REQUIREMENT MUST NOT EXCEED THAT ALLOWABLE WINDOW DESIGN PRESSURE RATING.
 - COMPLIES WITH THE FLORIDA BUILDING CODE 2017
 - FASTENERS ASSEMBLY ANCHORS SHALL BE AS SPECIFIED IN THE SYSTEM N.O.A.
 - USE: IT SHALL BE THE RESPONSIBILITY OF THE CONTRACTOR, ARCHITECT OR ENGINEER OF RECORD TO VERIFY THE FOLLOWING:
7.1 THE SITE SPECIFIC PROJECT CRITERIA, SUCH AS BUT NOT LIMITED TO LOCAL CODE REQUIREMENTS, PRESSURE REQUIREMENTS.
7.2 THAT APPROVAL IS ADEQUATE TO SPECIFIC PRODUCT.
7.3 AN EVALUATION OF THE EXISTING STRUCTURE AND ANCHORING CONDITION.
 - SMALL MISSILE IMPACT RATING: WIND-BORNE DEBRIS PROTECTION (SHUTTERS) ARE NOT REQUIRED FOR THE INSTALLATION OF THE SYSTEM ON INSTALLATIONS OVER 30' FEET ABOVE GRADE.
 - CAN ONLY BE INSTALLED BY A LUMENESSE APPROVED DEALER.
"ACCREDITED CODE COMPLIANCE DEALER"

<p>PROJECT TITLE: PRODUCT APPROVAL FOR: HURRICANE PROTECTION WINDOW FILM SYSTEM LUMENESSE FILMS LLC 1470 NW 107TH AVENUE SUITE "O" MIAMI, FL 33172</p>										
<p>EC + ASSOCIATES, INC. EMILIO CASTRO PE CONSULTING CIVIL & STRUCTURAL 14811 SW 107TH AVE MIAMI, FL 33194 TEL: (786) 296-5793 FAX: (305) 480-7886</p>										
<p>REVISIONS</p> <table border="1"> <thead> <tr> <th>#</th> <th>Description</th> <th>Date</th> </tr> </thead> <tbody> <tr> <td>1</td> <td>QAAR Update</td> <td>1/17/17</td> </tr> <tr> <td>2</td> <td>QAAR Update</td> <td>2/19/18</td> </tr> </tbody> </table>		#	Description	Date	1	QAAR Update	1/17/17	2	QAAR Update	2/19/18
#	Description	Date								
1	QAAR Update	1/17/17								
2	QAAR Update	2/19/18								
<p>DESCRIPTION Project No. 12-777 Date: January 23, 2012 Drawn By: Enrique de la Pezuela Approved By: Emilio Castro PE SHEET NO.</p>										
<p>1 of 2</p>										



TYPICAL ELEVATION NTS

LUMENESSE 8 MIL - CLEAR SAFETY & SECURITY WINDOW FILM	
DESIGN PRESSURE RATING	+ 100 PSF - 100 PSF
AS QUALIFIED BY LATEST REPORT #FTL-7337 SUBMITTED	
MATERIAL PROPERTIES:	
MULTI LAYERED METALIZED OPTICAL FILM -	65 - 75%
ADHESIVES -	10 - 20%
SILICONE COATED PET LINER -	10 - 15%
COATINGS -	1 - 5%
FIRE TEST PROPERTIES:	
FLAME TEST INDEX -	735
SMOKE DEVELOPED INDEX -	44.99%
WEATHERING TEST PROPERTIES:	
UV LIGHT REJECTED -	99%
TOTAL SOLAR ENERGY REJECTED -	19%
WATER AND WIND TEST PROPERTIES -	PASSED

PRODUCT REVISED
as complying with the Florida
Building Code
Acceptance No 18-0504-01
Expiration Date 12/14/2018
By *EMC* Emilio Castro
Miami Dade Product Control
7/2/18

PRODUCT APPROVAL FOR: HURRICANE PROTECTION WINDOW FILM SYSTEM LUMENESSE FILMS LLC 1470 NW 107TH AVENUE SUITE "O" MIAMI, FL 33172										
PROJECT TITLE: LUMENESSE FILMS LLC 1470 NW 107TH AVENUE SUITE "O" MIAMI, FL 33172 OFFICE (305) 470-9393 FAX (305) 592-0700										
EC + ASSOCIATES, INC. EMILIO CASTRO PE CONSULTING CIVIL & STRUCTURAL ENGINEERS #EB 0006576 MIAMI, FL 33134 TEL: (786) 266-5793 FAX: (305) 480-7886										
REVISIONS <table border="1"> <thead> <tr> <th>#</th> <th>Description</th> <th>Date:</th> </tr> </thead> <tbody> <tr> <td>1</td> <td>QAAR Update</td> <td>1/17/17</td> </tr> <tr> <td>2</td> <td>QAAR Update</td> <td>6/18/18</td> </tr> </tbody> </table>		#	Description	Date:	1	QAAR Update	1/17/17	2	QAAR Update	6/18/18
#	Description	Date:								
1	QAAR Update	1/17/17								
2	QAAR Update	6/18/18								
DESCRIPTION Project No. 12-777 Date: January 23, 2012 Drawn By: Enrique de la Pezuela Approved By: Emilio Castro PE SHEET NO.										
2 of 2										